

# JADO

P r o d u c t s

## 818 Series

Product Number  
818/712/...

## New Classic

Product Number  
888/707/...

JADO USA  
6615 West Boston  
Chandler, AZ 85226  
Phone: (800) 227-2734  
Fax: (800) 552-JADO (5236)  
[www.jadousa.com](http://www.jadousa.com)

## 3/4" Thermostatic Mixing Valve Trim Kit

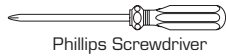
# Installation Instructions

To ensure that your installation proceeds smoothly--please read these instructions carefully before you begin.

L u x u r y F a u c e t s a n d A c c e s s o r i e s

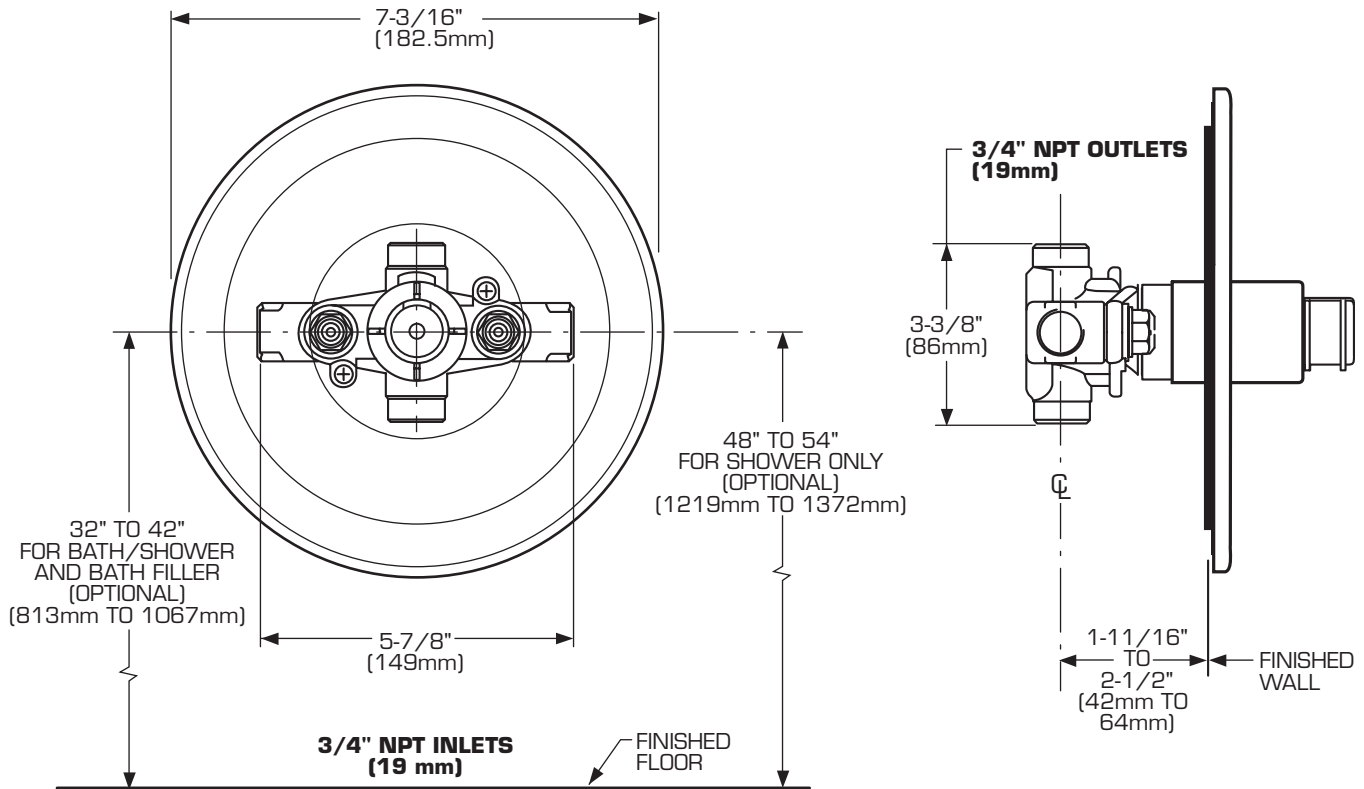


## RECOMMENDED TOOLS



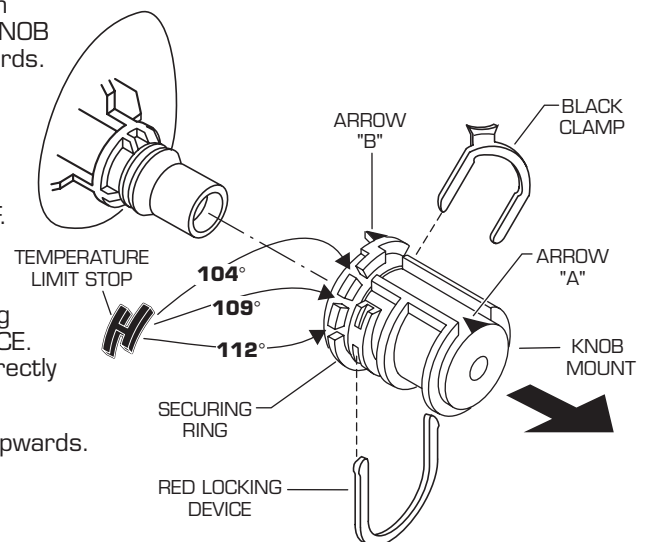
## ROUGHING-IN DIMENSIONS

- For reference



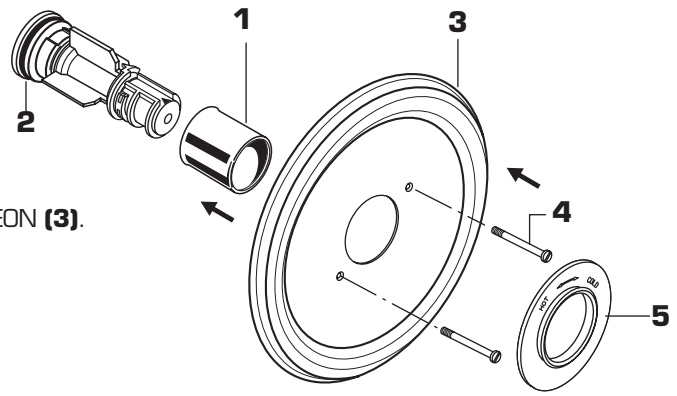
## 1 TEMPERATURE CALIBRATION

- Unscrew PLASTER GUARD SCREWS and remove PLASTER GUARD.
- Check that arrow marking B points vertically upwards. If not, push the BLACK CLAMP on the SECURING RING to the right, pull off KNOB MOUNT and reinstall KNOB MOUNT with arrow "B" pointing upwards.
- The maximum mixed water temperature is set at 109° F at the factory. This setting can be changed if desired.
- Remove the TEMPERATURE LIMIT STOP (H shaped Black Plastic part). Re-install it at the desired notch as indicated in the diagram to limit the maximum mixed water temperature to 104°F or 112°F.
- For 100° F adjustment, turn the water supply on. Turn KNOB MOUNT until the spout temperature is 100° F. Check that arrow marking A on the KNOB MOUNT still points upward after adjusting the thermostat to 100° F. If not, pull out the RED LOCKING DEVICE. Remove KNOB MOUNT by pulling it towards you while standing directly in front of the valve.
- Reinstall the KNOB MOUNT so that the arrow marking A points upwards.
- Reinstall RED LOCKING DEVICE.



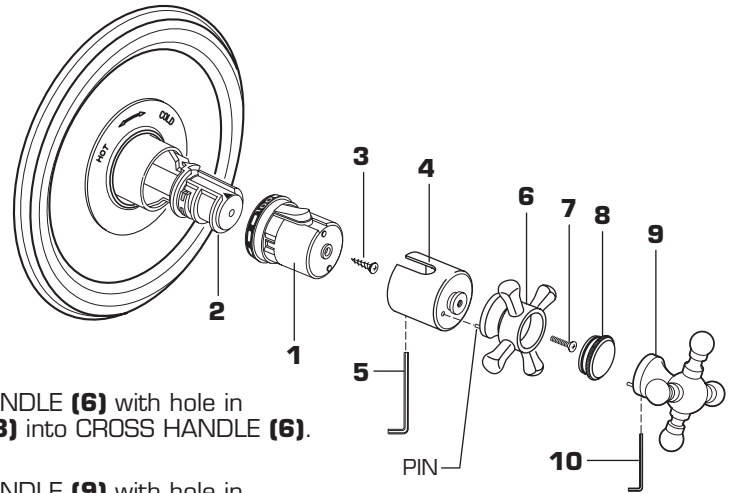
## 2 TRIM INSTALLATION

- Push CAP (1) over the O-RING SEAL (2).
- Push ESCUTCHEON (3) over CAP (1) and secure with SCREWS (4).
- Slide COVER PLATE (5) onto CAP (1) flush against ESCUTCHEON (3).



## 3 HANDLE INSTALLATION

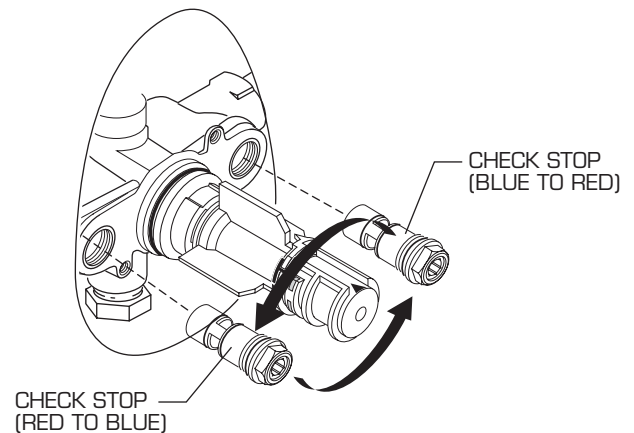
- Remove TEMPERATURE CONTROL KNOB (1) from HANDLE BASE (4) by loosening SET SCREW with HEX WRENCH (5).
- Push TEMPERATURE-CONTROL KNOB (1) onto KNOB MOUNT (2). Attach TEMPERATURE-CONTROL KNOB (1) to valve with ATTACHMENT SCREW (3). Push HANDLE BASE (4) onto TEMPERATURE-CONTROL KNOB (1). Tighten set screw with HEX WRENCH (5) to secure HANDLE BASE (4).
- **For 818 Series Cross Handle:** Align Pin on CROSS HANDLE (6) with hole in HANDLE BASE (4). Tighten SCREW (7). Insert INDEX (8) into CROSS HANDLE (6).
- **For 888 Series Cross Handle:** Align Pin on CROSS HANDLE (9) with hole in HANDLE BASE (4). Tighten SET SCREW with HEX WRENCH (10) supplied.



## 4 TRANSPOSED SUPPLY PIPING

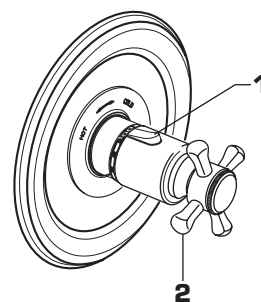
*Should the hot and cold water supply pipes have been transposed making adjustment impossible, proceed as follows:*

- Shut off water supply.
- Remove handle and rim
- Remove check stops and re-install them transposed.
- Important note: RED CHECK STOP is now on the right of the mixer body and the BLUE CHECK STOP is now on the left.
- Turn the water supply back on and perform the temperature adjustment in step 1.



## 5 OPERATING THE VALVE

- If a temperature over 100°F is desired, push the STOP BUTTON (1) down and turn the TEMPERATURE KNOB (2).
- This will increase the mixed water temperature up to the maximum limit previously selected in step 1.



# TO THE PURCHASER OF JADO BRASS PRODUCTS

**Attention installer:**  
*Please leave This Pamphlet for The Owner*

**NOTICE: JADO products conform to industry requirements of water conservation under the ASTM / ANSI A112.18.1M-1994 plumbing code. Lavatory, bidet, wet bar and kitchen faucet sets have a maximum flow rate of 2.2GPM. Shower heads, hand showers and body sprays have a maximum flow rate of 2.5GPM.**

The state of California has mandated under Proposition #65 that manufactures of products, including faucets which come into contact with potable water, must warn the consumer if the product contains materials listed by the state as a carcinogen or reproductive toxin. Lead, which is contained in all brass faucets in limited amounts appears on the State's list.

Preliminary industry tests have indicated that users of faucets made from brass face no significant danger, however, California Proposition #65 requires that we provide you with the following notice:

*Warning: This product contains an element known to the State of California to cause cancer of reproductive harm.*

JADO BATHROOM AND HARDWARE MFG. CORP.  
6615 West Boston  
Chandler, AZ 85226

## JADO FAUCET LIFETIME FUNCTION AND FINISH LIMITED WARRANTY

**JADO Bathroom & Hardware Manufacturing Corp. provides the following warranties only to the first residential owner of our products.**

### FINISHES

JADO warrants this product to be free from defects in materials or workmanship for as long as the original consumer purchaser owns their home.

JADO will provide, free of charge, at it's sole option, replacement part(s) or product (or if no longer available, a comparable product) to replace those which have proven defective in materials or workmanship.

Proof of purchase (original sales receipt) from the original consumer purchaser must be made available to JADO for all limited warranty claims. This limited warranty is non transferable. It does not apply in the event of product damage due to the use of other than genuine JADO replacement parts, installation error, abuse, misuse, or improper care and maintenance (whether performed by a plumber, contractor, service provider or member of the purchaser's household). The limited warranty excludes damage due to aggressive air or water conditions, or harsh or abrasive cleaners and/or materials. This limited warranty excludes all industrial, commercial and business usage, whose purchasers are hereby extended a two year limited warranty (with the exception of solenoid valves and other electronic components which carry a one year limited warranty) applying to all other terms of this limited warranty except duration. This limited warranty does not cover labor charges incurred and/or damages sustained in installation, repair or replacement, nor incidental or consequential damages, all of which are expressly disclaimed. This limited warranty is applicable only to JADO faucets manufactured after June 1, 1996 and installed in the United States and/or Canada.

This limited warranty gives the original consumer purchaser of an JADO faucet specific legal rights which may vary from state to state or from province to province. This limited warranty does not cover any liability for consequential or incidental damages, all of which are hereby expressly disclaimed, or the extension beyond the duration of this limited warranty of any implied limited warranties, including those of merchantability or fitness for an intended purpose. In some states or provinces the exclusion or limitation of incidental or consequential damages is not allowed, so those exclusions may not apply to you.

**POLISHED BRASS AND CUSTOM FINISH WARRANTY:** A 1 YEAR LIMITED FINISH WARRANTY from date of purchase is provided to the first residential owner against defects in materials and workmanship. Due to the ever-changing finish of Patina products, the finish warranty is excluded. Warranty shall not include problems related to the installation of the product.

### MECHANICS

**MECHANICAL WARRANTY:** A LIFETIME LIMITED WARRANTY is provided to the first residential owner on parts to be free from failure related to defects in materials and workmanship but not installation.

### CONDITIONS TO WARRANTIES

JADO Bathroom & Hardware Manufacturing Corp. places the following conditions on its finish and mechanical warranties to the first residential owner only. JADO finish and mechanical warranties are limited to products correctly installed and used in a residential environment.

JADO warranties will not assume liability for damage due to abuse, mishandling, incorrect installation, improper maintenance, or deterioration due to normal use.

JADO will not be liable for labor or other costs relating to the sale, installation, or replacement of their products.

In the event of a defect in any JADO product covered by this warranty, the product must be returned to the dealer where originally purchased along with proof of purchase.

JADO's obligation under the warranty shall be limited to the repair or exchange of any product which has been determined by JADO to be defective after appropriate examination.