

JADO

Single Lever Lavatory Faucet Installation Instructions

To ensure that your installation proceeds smoothly--please read these instructions carefully before you begin.

P r o d u c t s

L u x u r y F a u c e t s a n d A c c e s s o r i e s

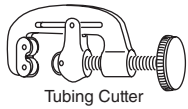
Classic
Victorian

Product Number
Lavatory Faucet
850/003/...



JADO USA
8404 Killam Blvd.
Laredo, TX 78045
Phone: (800) 227-2734
Fax: (800) 552-JADO (5236)
www.jadousa.com

RECOMMENDED TOOLS



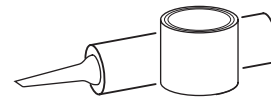
Tubing Cutter



Channel Locks



Adjustable Wrench



Plumbers' Putty or Caulking

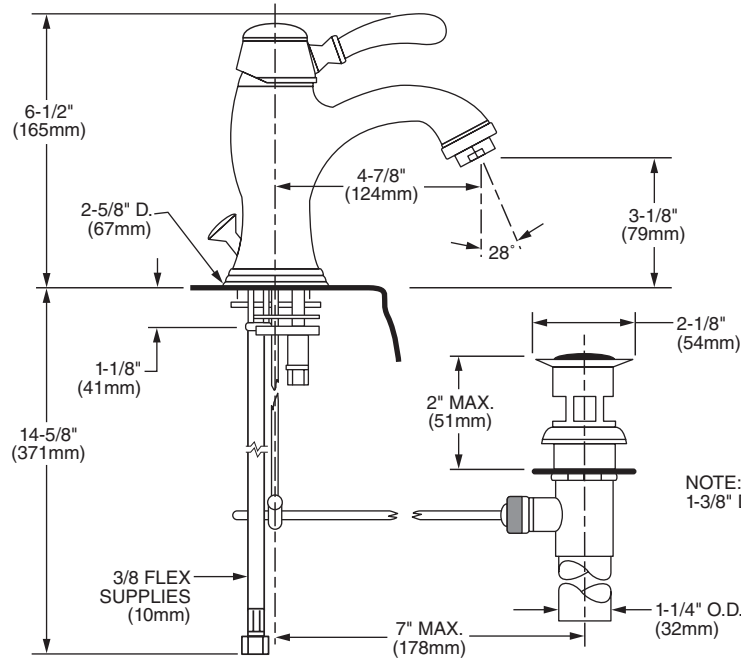


Phillips Screwdriver



Regular Screwdriver

ROUGHING-IN DIMENSIONS



NOTE: MOUNTING HOLE
1-3/8" D. (35mm)

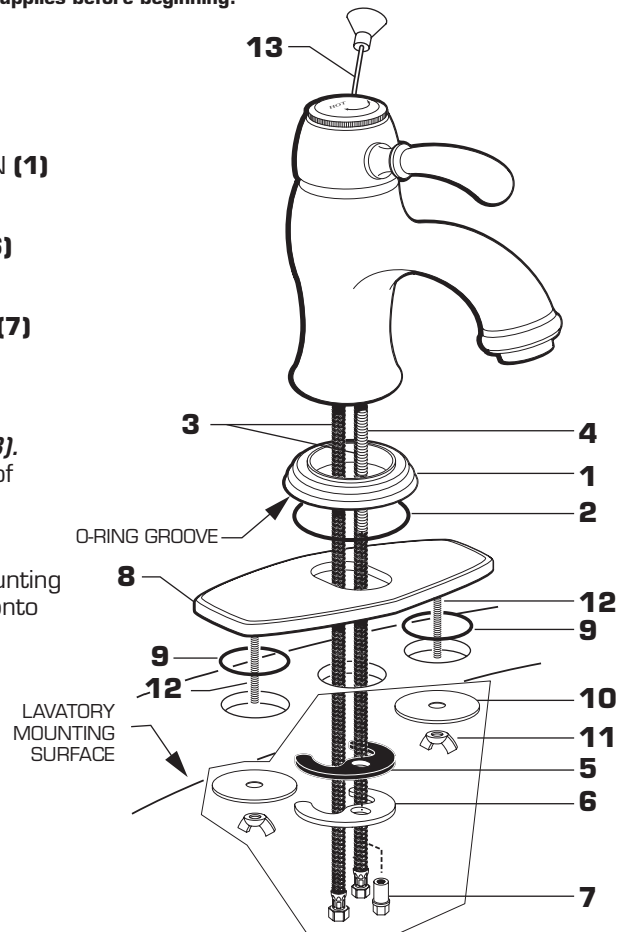
1 INSTALL FAUCET (LAVATORY AND BIDET)

CAUTION

Turn off hot and cold water supplies before beginning.

SINGLE HOLE MOUNTING

- Inspect ESCUTCHEON (1) for O-RING (2) fitted into O-ring groove. Place ESCUTCHEON (1) with O-RING (2) over mounting hole.
- Feed FAUCET FLEX HOSES (3) and SHANK (4) through ESCUTCHEON (1) and mounting hole of lavatory or mounting surface.
- From below, install RUBBER WASHER (5), RETAINING WASHER (6) and LOCKNUT (7) onto faucet SHANK (4). Before final tightening, faucet should be seated flush on ESCUTCHEON (1). Adjust faucet so that it is centered and covers mounting hole. Tighten LOCKNUT (7) using a 13mm or adjustable wrench. Do not over tighten. Install POP-UP ROD (13).
- FAUCET INSTALLATION WITH OPTIONAL DECK ESCUTCHEON (8). Thread the two 2-1/4" long ESCUTCHEON STUDS (12) into base of DECK ESCUTCHEON (8).
- Install the two (2) O-RINGS (9) into the recesses under the DECK ESCUTCHEON (8). Place the DECK ESCUTCHEON (8) onto the mounting surface. From below install two (2) FLAT BRASS WASHERS (10) onto the ESCUTCHEON STUDS (12) and secure with WING NUTS (11) supplied with kit. Before final tightening, DECK ESCUTCHEON (8) should be centered on mounting surface. Tighten WING NUTS (11).
- With DECK ESCUTCHEON (8) installed, complete the installation following the instructions above (SINGLE HOLE MOUNTING).



2 INSTALL POP-UP DRAIN

FIG. 2a

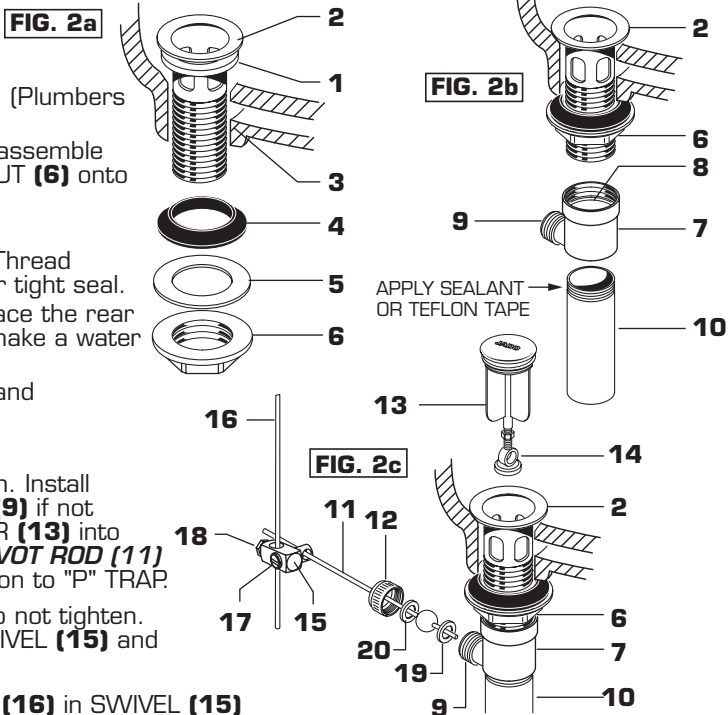
- A FOAM SEAL (1) is installed on underside of FLANGE (2). (Plumbers Putty may be used in place of FOAM SEAL (1) if desired.)
- Drop FLANGE (2) into LAVATORY DRAIN (3). From below assemble RUBBER GASKET (4), PLASTIC WASHER (5) and LOCK NUT (6) onto DRAIN FLANGE (2). Do not tighten fully.

FIG. 2b

- Inspect inside DRAIN BODY (7) that SEAL (8) is installed. Thread DRAIN BODY (7) tight against FLANGE (2) to make a water tight seal.
- The PIVOT ROD OPENING (9) in DRAIN BODY (7) should face the rear of the lavatory. Tighten LOCK NUT (6) on FLANGE (2) to make a water tight connection with channel locks. Do not over tighten.
- Apply sealant or Teflon tape to threads of TAILPIECE (10) and thread into DRAIN BODY (7) making a water tight seal.

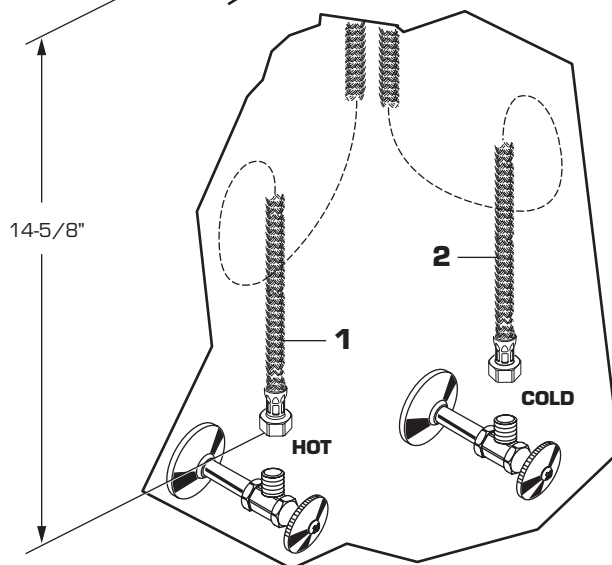
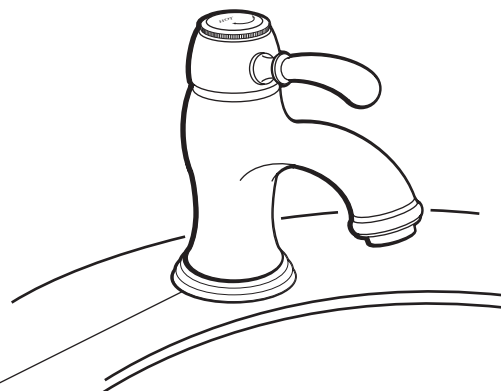
FIG. 2c

- Assemble PIVOT ROD (11), and PIVOT NUT (12) as shown. Install CONCAVE WASHERS (19, 20) into PIVOT ROD OPENING (9) if not preinstalled. Hand tighten PIVOT NUT (12). Drop STOPPER (13) into drain. (To vandal proof drain rotate STOPPER (13) so PIVOT ROD (11) goes through EYE (14) of STOPPER (13). Make connection to "P" TRAP.
- Assemble POP-UP SWIVEL (15) to PIVOT ROD (11) but do not tighten. Drop POP-UP ROD (16) through other hole in POP-UP SWIVEL (15) and tighten SET SCREW (17).
- Adjust STOPPER (13) height by repositioning POP-UP ROD (16) in SWIVEL (15) and tightening SET SCREW (18).



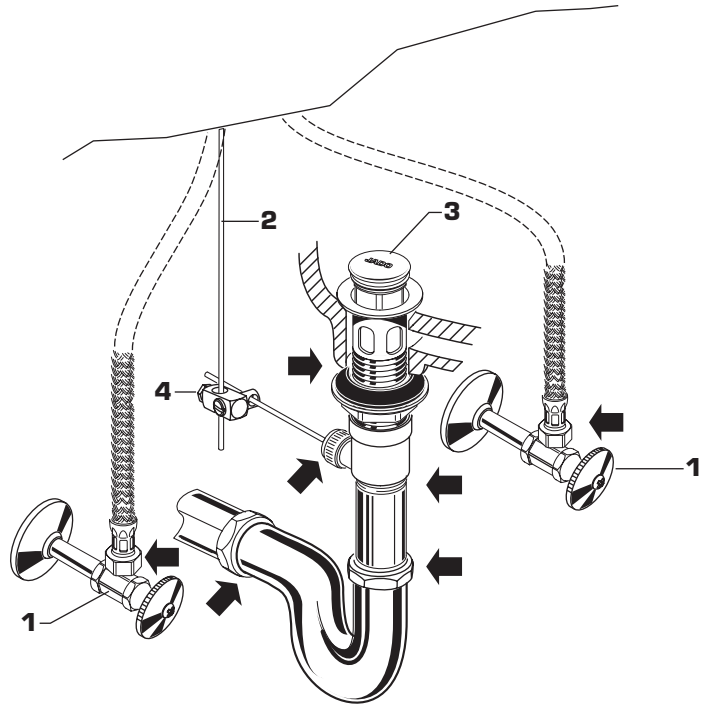
3 MAKE WATER SUPPLY CONNECTIONS

- Turn off hot and cold water supplies before beginning.
- Connect FLEXIBLE SUPPLIES (1, 2) directly to wall supplies. Connection on fitting supplies are 3/8" compression. Connect left supply to Hot and right supply to Cold wall supply. Use adjustable wrench to tighten connections. Do not over tighten.
- Faucet supplies are 14-5/8" long from faucet base.
- *Note: If additional supply length is required, installer must purchase additional parts separately.*
- *Important: If SUPPLY HOSES (1, 2) are too long, loop as illustrated to avoid kinking.*



4 TEST INSTALLED FITTING AND CONNECTIONS FOR LEAKS

- With FAUCET HANDLES in OFF position, turn on WATER SUPPLIES (1) and check all connections for leaks. ➡
- Remove AERATOR from FAUCET. Operate HANDLE to flush water lines thoroughly.
- Operate LIFT ROD (2) and fill lavatory with water. Check that DRAIN STOPPER (3) makes a good seal and retains water in lavatory. Adjust stopper height by repositioning Lift Rod (2) and tightening SET SCREW (4).
- Release DRAIN STOPPER (3) and check all drain connections and "P" trap for leaks. ➡ Tighten if necessary.
- Install AERATOR into FAUCET.



5 HELPFUL HINTS FOR CLEANING AND MAINTENANCE

The solid brass product you have just purchased has been designed to give you years of beauty and service. It is important to bring to your attention proper care and maintenance procedures, which will ensure its lasting beauty.

- First and foremost, it is important (as it is with any fine piece of jewelry or furniture) that the product be wiped clean and dry with a soft damp cloth after every use.
- Second, under no circumstances should an abrasive cleaner or combination cleaner/polish be used on JADO products. The abrasive nature of such products will eventually destroy the finish and void the warranty.
- In the event of stubborn blemishes shown on the finish, we recommend use of Windex window cleaner with a soft cloth, but we do not recommend it be used on an everyday basis.
- It is important to note that it is normal to expect signs of usage over time.

Thank you for selecting JADO for your home.

TO THE PURCHASER OF JADO BRASS PRODUCTS

Attention installer:
Please leave This Pamphlet for The Owner

NOTICE: JADO products conform to industry requirements of water conservation under the ASTM / ANSI A112.18.1-2005 plumbing code. Lavatory, bidet, wet bar and kitchen faucet sets have a maximum flow rate of 2.2GPM. Shower heads, hand showers and body sprays have a maximum flow rate of 2.5GPM.

The state of California has mandated under Proposition #65 that manufactures of products, including faucets which come into contact with potable water, must warn the consumer if the product contains materials listed by the state as a carcinogen or reproductive toxin. Lead, which is contained in all brass faucets in limited amounts appears on the State's list.

Preliminary industry tests have indicated that users of faucets made from brass face no significant danger, however, California Proposition #65 requires that we provide you with the following notice:

Warning: This product contains an element known to the State of California to cause cancer or reproductive harm.

JADO BATHROOM AND HARDWARE MFG. CORP.
8404 Killam Blvd.
Laredo TX, 78045

JADO FAUCET LIFETIME FUNCTION AND FINISH LIMITED WARRANTY

JADO Bathroom & Hardware Manufacturing Corp. provides the following warranties only to the first residential owner of our products. **FINISHES**

JADO warrants this product to be free from defects in materials or workmanship for as long as the original consumer purchaser owns their home.

JADO will provide, free of charge, at its sole option, replacement part(s) or product (or if no longer available, a comparable product) to replace those which have proven defective in materials or workmanship.

Proof of purchase (original sales receipt) from the original consumer purchaser must be made available to JADO for all limited warranty claims. This limited warranty is non transferable. It does not apply in the event of product damage due to the use of other than genuine JADO replacement parts, installation error, abuse, misuse, or improper care and maintenance (whether performed by a plumber, contractor, service provider or member of the purchaser's household). The limited warranty excludes damage due to aggressive air or water conditions, or harsh or abrasive cleaners and/or materials. This limited warranty excludes all industrial, commercial and business usage, whose purchasers are hereby extended a two year limited warranty (with the exception of solenoid valves and other electronic components which carry a one year limited warranty) applying to all other terms of this limited warranty except duration. This limited warranty does not cover labor charges incurred and/or damages sustained in installation, repair or replacement, nor incidental or consequential damages, all of which are expressly disclaimed. This limited warranty is applicable only to JADO faucets manufactured after June 1, 1996 and installed in the United States and/or Canada.

This limited warranty gives the original consumer purchaser of an JADO faucet specific legal rights which may vary from state to state or from province to province. This limited warranty does not cover any liability for consequential or incidental damages, all of which are hereby expressly disclaimed, or the extension beyond the duration of this limited warranty of any implied limited warranties, including those of merchantability or fitness for an intended purpose. In some states or provinces the exclusion or limitation of incidental or consequential damages is not allowed, so those exclusions may not apply to you.

POLISHED BRASS AND CUSTOM FINISH WARRANTY: A 1 YEAR LIMITED FINISH WARRANTY from date of purchase is provided to the first residential owner against defects in materials and workmanship. Due to the ever-changing finish of Patina products, the finish warranty is excluded. Warranty shall not include problems related to the installation of the product.

MECHANICS

MECHANICAL WARRANTY: A LIFETIME LIMITED WARRANTY is provided to the first residential owner on parts to be free from failure related to defects in materials and workmanship but not installation.

CONDITIONS TO WARRANTIES

JADO Bathroom & Hardware Manufacturing Corp. places the following conditions on its finish and mechanical warranties to the first residential owner only. JADO finish and mechanical warranties are limited to products correctly installed and used in a residential environment. JADO warranties will not assume liability for damage due to abuse, mishandling, incorrect installation, improper maintenance, or deterioration due to normal use.

JADO will not be liable for labor or other costs relating to the sale, installation, or replacement of their products.

In the event of a defect in any JADO product covered by this warranty, the product must be returned to the dealer where originally purchased along with proof of purchase.

JADO's obligation under the warranty shall be limited to the repair or exchange of any product which has been determined by JADO to be defective after appropriate examination.

H965119E