

JADO

P r o d u c t s

818 Series

Product Numbers

818/496/...

818/495/...

Pressure Balanced Bath/Shower Combination Trim Kit Installation Instructions

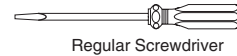
To ensure that your installation proceeds smoothly—please read these instructions carefully before you begin.

L u x u r y F a u c e t s a n d A c c e s s o r i e s



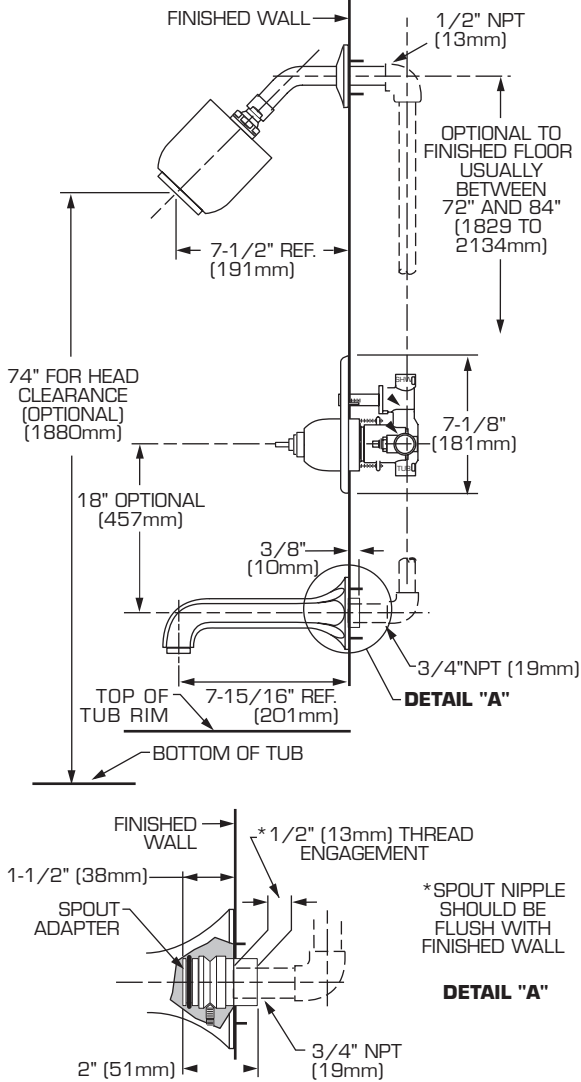
JADO USA
7845 East Paradise Lane
Scottsdale, AZ 85260
Phone: (800) 227-2734
Fax: (800) 552-JADO (5236)
www.jadousa.com

RECOMMENDED TOOLS



ROUGHING-IN DIMENSIONS

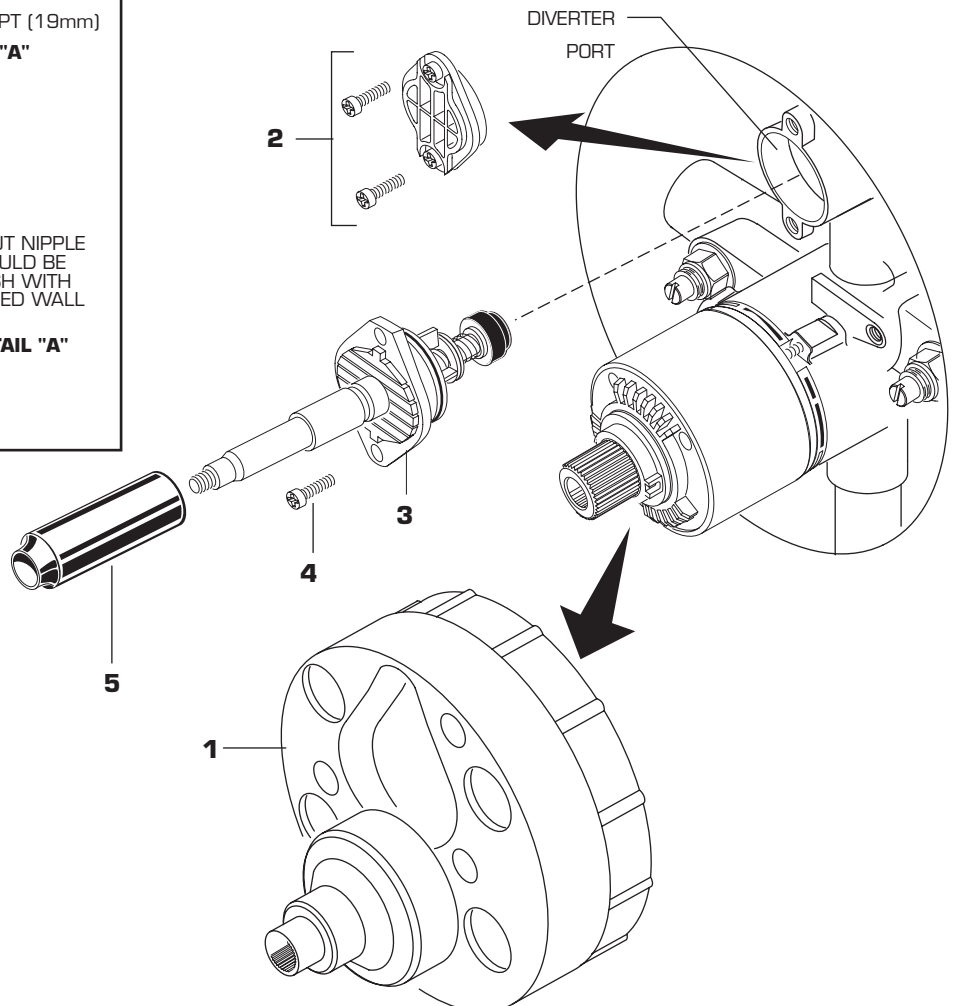
■ For reference



1 INSTALL DIVERTER

CAUTION Turn off water at main supply.

- After finished tiling the wall, remove PLASTER GUARD (1). Remove two screws that secure the DIVERTER LID (2) and remove Lid. Inspect the inside surface of diverter port. Diverter port must be free of any dirt. Clean if necessary.
- Install DIVERTER (3) with SCREWS (4) removed from DIVERTER LID (2).
- Operate DIVERTER (3). DIVERTER (3) should slide in and out smoothly.
- Push on DIVERTER COVER (5).



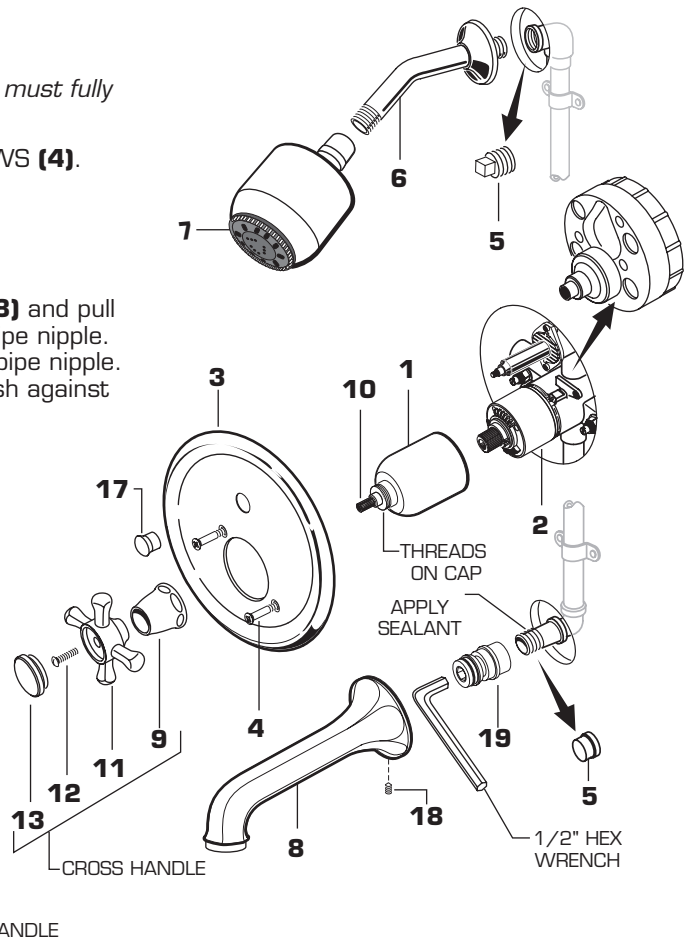
2 INSTALL TRIM

- Push CAP (1) onto VALVE CARTRIDGE (2). (Spline in CAP (1) must fully engage spline on cartridge stem).
- Mount ESCUTCHEON (3) and gasket to valve body with SCREWS (4).
- Thread DIVERTER KNOB (17) onto diverter stem.
- Remove PIPE CAPS (5) from shower pipe and tub filler pipe.
- Install SHOWER ARM (6), SHOWER HEAD (7).
- To install TUB FILLER SPOUT (8) first remove SET SCREW (18) and pull SPOUT ADAPTER (19) from back of spout. Apply sealant to pipe nipple. With a 1/2" hex wrench thread SPOUT ADAPTER (19) onto pipe nipple. Install TUB FILLER SPOUT (8) onto SPOUT ADAPTER (19) flush against finished wall. Tighten SET SCREW (18) to secure TUB FILLER SPOUT (8) to SPOUT ADAPTER (19).

CAUTION: Protect finish on SHOWER ARM, SHOWER HEAD and TUB SPOUT when installing.

2a INSTALL HANDLE (ADJUST HOT LIMIT STOP PRIOR TO HANDLE INSTALLATION, SEE STEP 3)

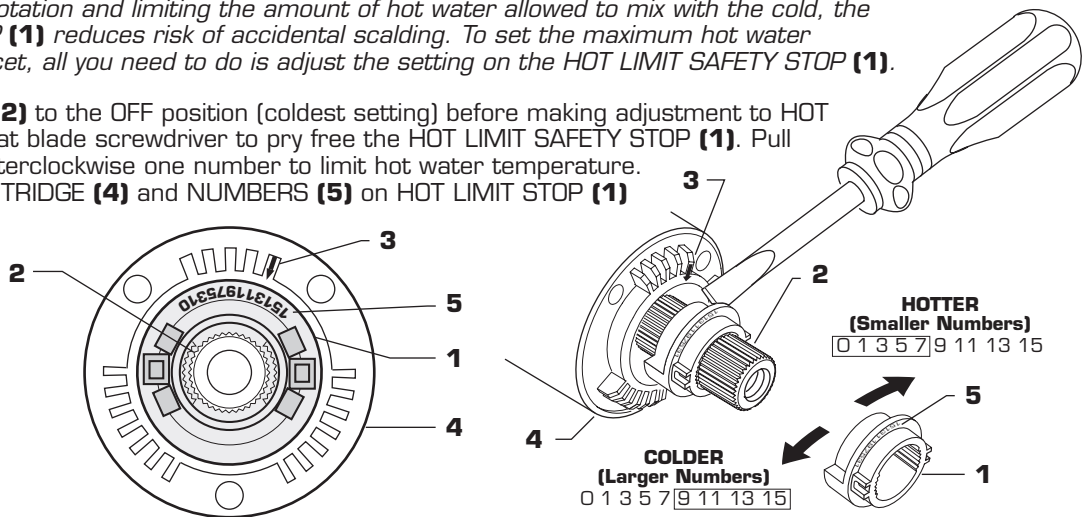
- **For Cross Handle:** Thread HANDLE BASE (9) onto threads of CAP (1) until seated against its internal stop. With VALVE in off position align CROSS HANDLE (11) as desired. Install CROSS HANDLE (11) onto VALVE STEM (10) and tighten HANDLE SCREW (12). Push INDEX (13) into CROSS HANDLE.
- **For Lever Handle:** Push ADAPTER (16) onto VALVE STEM (10). Thread HANDLE SCREW (20) into VALVE STEM (10) to secure ADAPTER (16). Thread HANDLE BASE (14) onto threads of CAP (1) until seated against its internal stop. Align LEVER HANDLE (15) as desired and push onto ADAPTER (16) until LEVER HANDLE (15) snaps into place.



3 ADJUST HOT LIMIT STOP (MUST BE DONE PRIOR TO TRIM INSTALLATION)

By restricting HANDLE rotation and limiting the amount of hot water allowed to mix with the cold, the HOT LIMIT SAFETY STOP (1) reduces risk of accidental scalding. To set the maximum hot water temperature of your faucet, all you need to do is adjust the setting on the HOT LIMIT SAFETY STOP (1).

- Turn CARTRIDGE STEM (2) to the OFF position (coldest setting) before making adjustment to HOT LIMIT STOP (1). Use a flat blade screwdriver to pry free the HOT LIMIT SAFETY STOP (1). Pull forward and rotate counterclockwise one number to limit hot water temperature. Use ARROW (3) on CARTRIDGE (4) and NUMBERS (5) on HOT LIMIT STOP (1) for indication.



4 BACK TO BACK INSTALLATION (SEE ILLUSTRATION STEP 6 FOR REFERENCE)

- Remove Handle and Trim from Valve. See step 2 for reference.
- Remove PRESSURE BALANCE UNIT (5). Rotate PRESSURE BALANCE UNIT (5) 180° so that the inlets face up and the large outlet port faces down.
- Push PRESSURE BALANCE UNIT (5) in casting make sure inlets line up with holes in bottom of casting. Top flange should butt up against top of casting.
- Reassemble FIXATION RING (4) and CARTRIDGE (1).

5 TEST INSTALLED FAUCET

- Turn VALVE "off".
- With HANDLE in "off" position, turn on water supplies and check all connections for leaks.
- Operate HANDLE and flush water lines thoroughly. Pull DIVERTER and check SHOWER for proper operation.
- Check SPOUT and SHOWER connections for leaks.

6 TO GAIN ACCESS TO VALVE FOR SERVICING

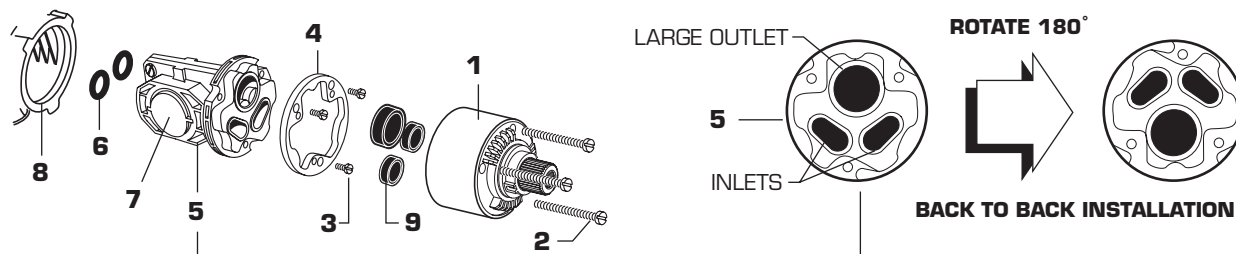
- Remove Handle and Trim from Valve. See step 2 for reference.
- Shut off water supply by either closing off main water supply, or closing off the hot and cold CHECK STOPS on valve, if present.

VALVE LEAKS WHEN SHUT OFF

- Remove CARTRIDGE (1) by removing CARTRIDGE SCREWS (2). Remove three SCREWS (3) from FIXATION RING (4) and pull out PRESSURE BALANCING (5) unit.
- Clean SEALS (9) on base of CARTRIDGE (1). Check base of PRESSURE BALANCING UNIT (5) and clean O-RINGS (6). Remove CAPS (7) and check O-RINGS on inside of CAPS (7). Clean inside sealing surfaces of VALVE BODY (8).
- Re-assemble PRESSURE BALANCING UNIT (5) and CARTRIDGE (1). Tighten all screws. Turn on water supply and see above for installing TRIM and HANDLE.

UNABLE TO MAINTAIN CONSTANT TEMPERATURE

- Remove PRESSURE BALANCE UNIT (5). Remove CAPS (7) and clean valve thoroughly.
- Examine balancing unit and check condition of O-ring on end of piston. Piston should move back and forth. Order Repair Part M952100-0070 if balancing unit is defective.
- Replace CAPS (7) and install PRESSURE BALANCE UNIT (5). Make sure inlets line up with two holes in bottom of casting. Top flange should butt-up against top of casting.



7 HELPFUL HINTS FOR CLEANING AND MAINTENANCE

The solid brass product you have just purchased has been designed to give you years of beauty and service. It is important to bring to your attention proper care and maintenance procedures, which will ensure its lasting beauty.

- First and foremost, it is important (as it is with any fine piece of jewelry or furniture) that the product be wiped clean and dry with a soft damp cloth after every use.
- Second, under no circumstances should an abrasive cleaner or combination cleaner/polish be used on JADO products. The abrasive nature of such products will eventually destroy the finish and void the warranty.
- In the event of stubborn blemishes shown on the finish, we recommend use of Windex window cleaner with a soft cloth, but we do not recommend it be used on an everyday basis.
- It is important to note that it is normal to expect signs of usage over time.

Thank you for selecting JADO for your home.

TO THE PURCHASER OF JADO BRASS PRODUCTS

Attention installer:

Please leave This Pamphlet for The Owner

NOTICE: JADO products conform to industry requirements of water conservation under the ASTM / ANSI A112.18.1M-1994 plumbing code. Lavatory, bidet, wet bar and kitchen faucet sets have a maximum flow rate of 2.2GPM. Shower heads, hand showers and body sprays have a maximum flow rate of 2.5GPM.

The state of California has mandated under Proposition #65 that manufactures of products, including faucets which come into contact with potable water, must warn the consumer if the product contains materials listed by the state as a carcinogen or reproductive toxin. Lead, which is contained in all brass faucets in limited amounts appears on the State's list.

Preliminary industry tests have indicated that users of faucets made from brass face no significant danger, however, California Proposition #65 requires that we provide you with the following notice:

Warning: This product contains an element known to the State of California to cause cancer of reproductive harm.

JADO BATHROOM AND HARDWARE MFG. CORP.
7845 East Paradise Lane
Scottsdale, AZ 85260

JADO FAUCET LIFETIME FUNCTION AND FINISH LIMITED WARRANTY

JADO Bathroom & Hardware Manufacturing Corp. provides the following warranties only to the first residential owner of our products. FINISHES

JADO warrants this product to be free from defects in materials or workmanship for as long as the original consumer purchaser owns their home.

JADO will provide, free of charge, at it's sole option, replacement part(s) or product (or if no longer available, a comparable product) to replace those which have proven defective in materials or workmanship.

Proof of purchase (original sales receipt) from the original consumer purchaser must be made available to JADO for all limited warranty claims. This limited warranty is non transferable. It does not apply in the event of product damage due to the use of other than genuine JADO replacement parts, installation error, abuse, misuse, or improper care and maintenance (whether performed by a plumber, contractor, service provider or member of the purchaser's household). The limited warranty excludes all industrial, commercial and business usage, whose purchasers are hereby extended a two year limited warranty (with the exception of solenoid valves and other electronic components which carry a one year limited warranty) applying to all other terms of this limited warranty except duration. This limited warranty does not cover labor charges incurred and/or damages sustained in installation, repair or replacement, nor incidental or consequential damages, all of which are expressly disclaimed. This limited warranty is applicable only to JADO faucets manufactured after June 1, 1996 and installed in the United States and/or Canada.

This limited warranty gives the original consumer purchaser of an JADO faucet specific legal rights which may vary from state to state or from province to province. This limited warranty does not cover any liability for consequential or incidental damages, all of which are hereby expressly disclaimed, or the extension beyond the duration of this limited warranty of any implied limited warranties, including those of merchantability or fitness for an intended purpose. In some states or provinces the exclusion or limitation of incidental or consequential damages is not allowed, so those exclusions may not apply to you.

POLISHED BRASS AND CUSTOM FINISH WARRANTY: A 1 YEAR LIMITED FINISH WARRANTY from date of purchase is provided to the first residential owner against defects in materials and workmanship. Due to the ever-changing finish of Patina products, the finish warranty is excluded. Warranty shall not include problems related to the installation of the product.

MECHANICS

MECHANICAL WARRANTY: A LIFETIME LIMITED WARRANTY is provided to the first residential owner on parts to be free from failure related to defects in materials and workmanship but not installation.

CONDITIONS TO WARRANTIES

JADO Bathroom & Hardware Manufacturing Corp. places the following conditions on its finish and mechanical warranties to the first residential owner only. JADO finish and mechanical warranties are limited to products correctly installed and used in a residential environment. JADO warranties will not assume liability for damage due to abuse, mishandling, incorrect installation, improper maintenance, or deterioration due to normal use.

JADO will not be liable for labor or other costs relating to the sale, installation, or replacement of their products. In the event of a defect in any JADO product covered by this warranty, the product must be returned to the dealer where originally purchased along with proof of purchase. JADO's obligation under the warranty shall be limited to the repair or exchange of any product which has been determined by JADO to be defective after appropriate examination.

109563