

Features:

- Cast brass valve
- Controls On/Off and Volume functions for a single shower component in a shower system
- 1/2" and 3/4" NPT available
- Available in Cross or Lever Handle



Pictured: 818/013 Wall Valve - Lever Handle

| Kit Options | Handle Type | Product Number |
|--------------------------|-------------|----------------|
| 1/2" Wall Valve - "Hot" | Cross | 818/043 |
| 1/2" Wall Valve - "Cold" | Cross | 818/053 |
| 1/2" Wall Valve | Cross | 818/063 |
| 1/2" Wall Valve | Lever | 818/013 |
| 3/4" Wall Valve - "Hot" | Cross | 818/044 |
| 3/4" Wall Valve - "Cold" | Cross | 818/054 |
| 3/4" Wall Valve | Cross | 818/064 |
| 3/4" Wall Valve | Lever | 818/014 |



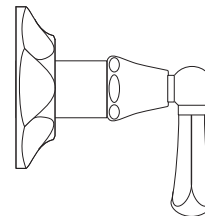
| Rough & Trim Options | Handle Type | Product Number |
|------------------------------|-------------|----------------|
| Trim Only - "Hot" | Cross | 818/743 |
| Trim Only - "Cold" | Cross | 818/753 |
| Trim Only | Cross | 818/765 |
| Trim Only | Lever | 818/713 |
| Rough Only - 1/2" Wall Valve | Cross | 865/001/191 |
| Rough Only - 3/4" Wall Valve | Cross | 865/101/191 |



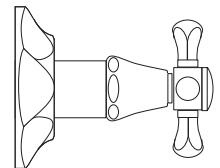
| Extension Kits | Product Number |
|--------------------------|----------------|
| Stem Extension Kit | H960764.191 |
| Stem Extension Kit Cover | H960202 |

| Available Finishes: | Finish Code |
|---------------------|-------------|
| Polished Chrome | 100 |
| Brushed Nickel | 144 |
| Platinum Nickel | 150 |
| Diamond (PVD) | 167 |

Handle Options:



Lever Handle



Cross Handle

ROUGH-IN DIAGRAM SHOWN ON REVERSE SIDE

CODES & STANDARDS

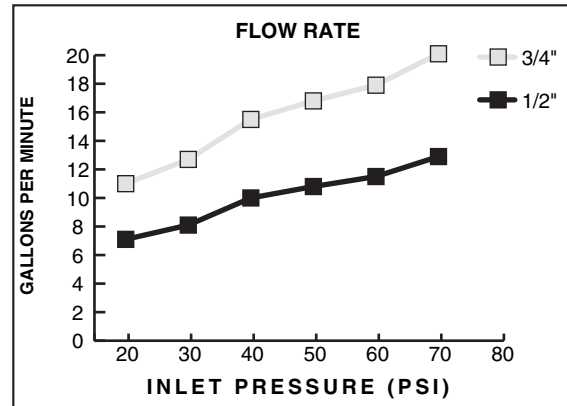
These products meet and exceed the following codes and standards:

ASME A112.18.1

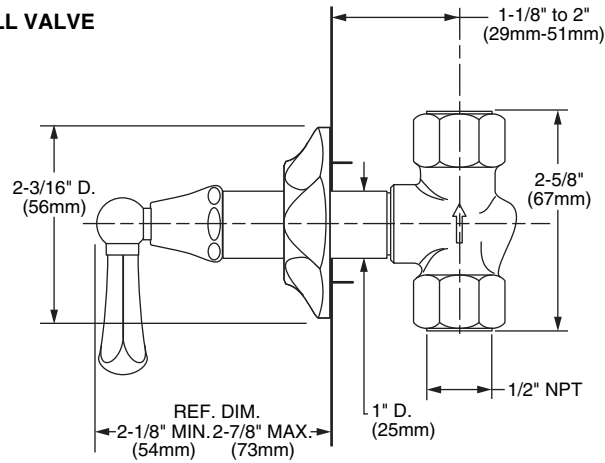
CSA B125



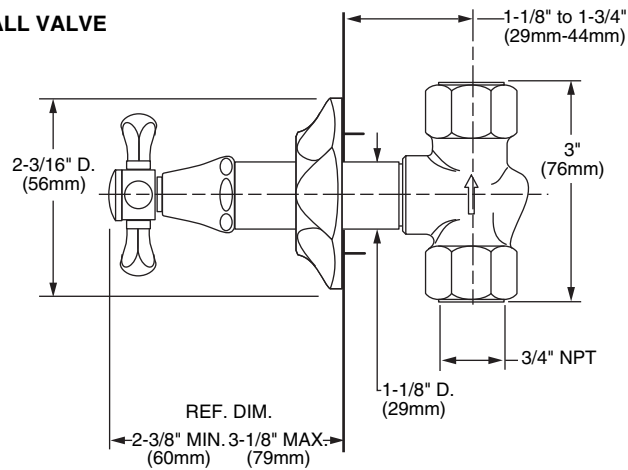
Meets the American Disabilities Act Guidelines and **ANSI A117.1** Requirements for the physically challenged.



1/2" WALL VALVE



3/4" WALL VALVE



IMPORTANT: These measurements are subject to change or cancellation. No responsibility is assumed for use of superseded or voided pages.