

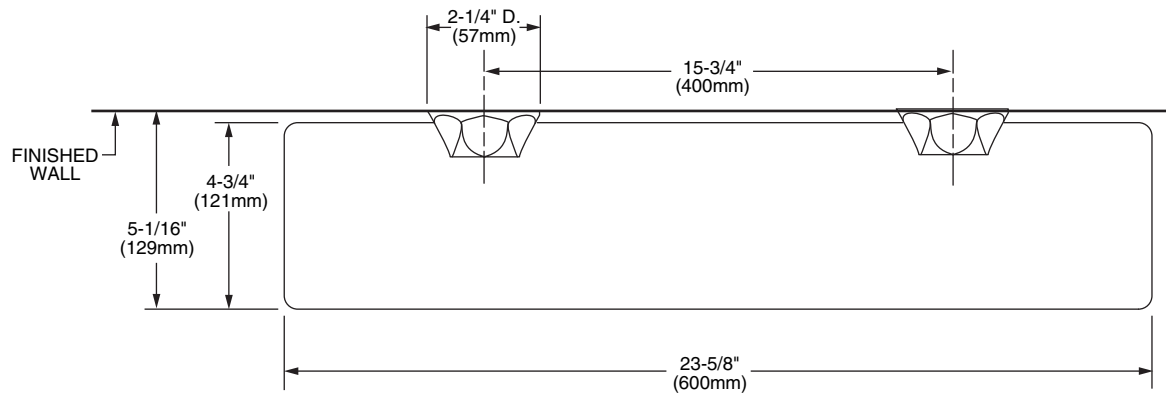
Features:

- Solid Brass Construction
- Concealed Mounting
- Clear Tempered Glass



	Product Number
Glass Shelf - 24"	018/612

Available Finishes:	Finish Code
Polished Chrome	100
Brushed Nickel	144
Platinum Nickel	150
Diamond (PVD)	167



IMPORTANT: These measurements are subject to change or cancellation. No responsibility is assumed for use of superseded or voided pages.