




Features:

- Cast brass spout and side valves
- Ceramic disc valve cartridges
- Flexible Hose Connections for 6"-12" installations
- Available with Cross or Lever Handles
- Speed Connect® with 1-1/4" drain
- Lead Free - Faucet contains ≤ 0.25% total lead content by weighted volume
- Maximum Flow Rate: 1.5 GPM (5.7L/min)

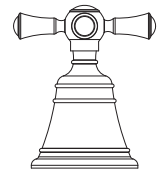
Pictured:

842/O13 Widespread Faucet with Cross Handles

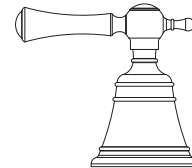
Description	Handle Type	Product Number	Available Finishes	Finish Code
Widespread Faucet	Cross	842/O13	Polished Chrome	100
Widespread Faucet	Lever	842/813 	Brushed Nickel	144
			Platinum Nickel	150

ROUGH-IN DIAGRAM
SHOWN ON REVERSE SIDE

Handle Options:



Cross Handle



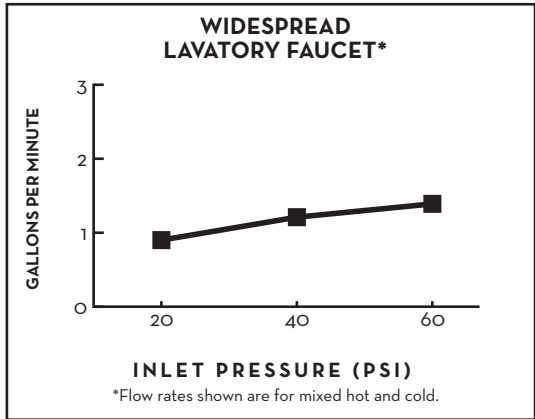
Lever Handle




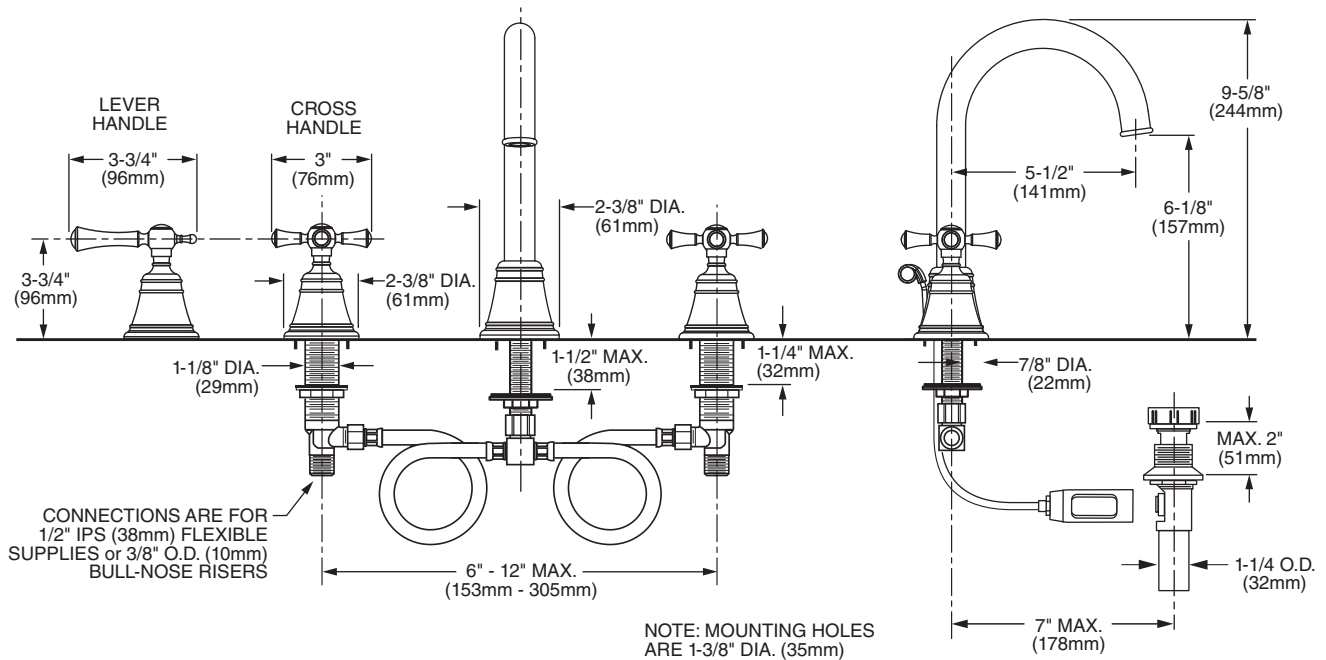
CODES & STANDARDS

These products meet and exceed the following codes and standards:

- ASME A112.18.1
- CSA B125.1
- NSF 61/Section 9
- EPA WaterSense® High Efficiency Lavatory Faucet Specification
- Certified Compliant with 0.25% Weighted Average Lead Content Regulations



 Meets the American Disabilities Act Guidelines and ANSI A117.1 Requirements for the physically challenged.



IMPORTANT: These measurements are subject to change or cancellation. No responsibility is assumed for use of superseded or voided pages.

