

Features:

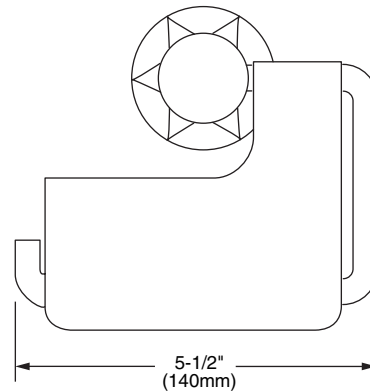
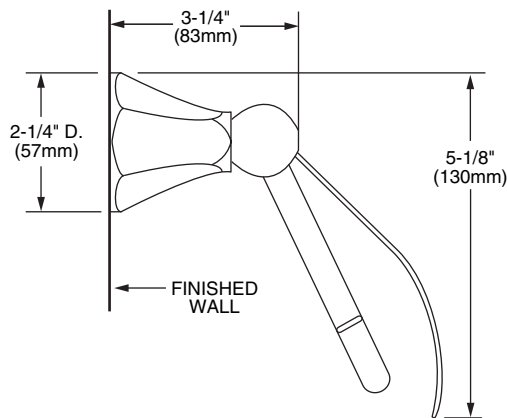
- Solid Brass Construction
- Concealed Mounting



Pictured: 018/145 Hooded Tissue Holder

	Product Number
Hooded Tissue Holder	018/145
Tissue Holder	018/140

Available Finishes:	Finish Code
Polished Chrome	100
Brushed Nickel	144
Platinum Nickel	150
Diamond (PVD)	167



IMPORTANT: These measurements are subject to change or cancellation. No responsibility is assumed for use of superseded or voided pages.