



Features:

- Cast brass spout and valves
- Ceramic disc valve cartridge
- Adjustable hot limit safety stop
- Pressure Balance cartridge maintains constant output temperature in response to changes in relative hot and cold supply pressures
- Integral diverter
- Multi-functional showerhead
- Available with Cross or Lever Handle

Pictured: 888/400 Tub and Shower Set with Cross Handle

Showerhead Maximum Flow Rate: 2.5 GPM (9.5L/min)

Kit Options	Handle Type	Product Number
Tub & Shower Set	Cross	888/400
Tub & Shower Set	Lever	888/401
PB Diverter Valve Set	Cross	888/140
PB Diverter Valve Set	Lever	888/141



Available Finishes:	Finish Code
Polished Chrome	100
Brushed Nickel	144
Diamond (PVD)	167

Rough & Trim Options	Handle Type	Product Number
Tub & Shower Set Trim Only*	Cross	888/495
Tub & Shower Set Trim Only*	Lever	888/496
PB Diverter Valve Set Trim Only**	Cross	888/545
PB Diverter Valve Set Trim Only**	Lever	888/546
Shower Head Only		860/082
Tub Spout Only		894/908
Rough Only		899/261/191

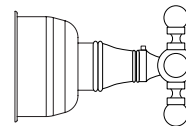


* Includes Pressure Balance Diverter Valve Trim, Shower Head & Tub Spout

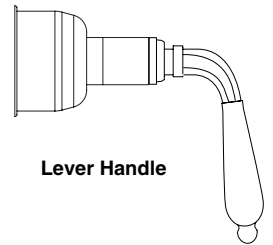
**Pressure Balance Diverter Valve Trim Only

ROUGH-IN DIAGRAM SHOWN ON REVERSE SIDE

Handle Options:



Cross Handle



Lever Handle

CODES & STANDARDS

These products meet and exceed the following codes and standards:

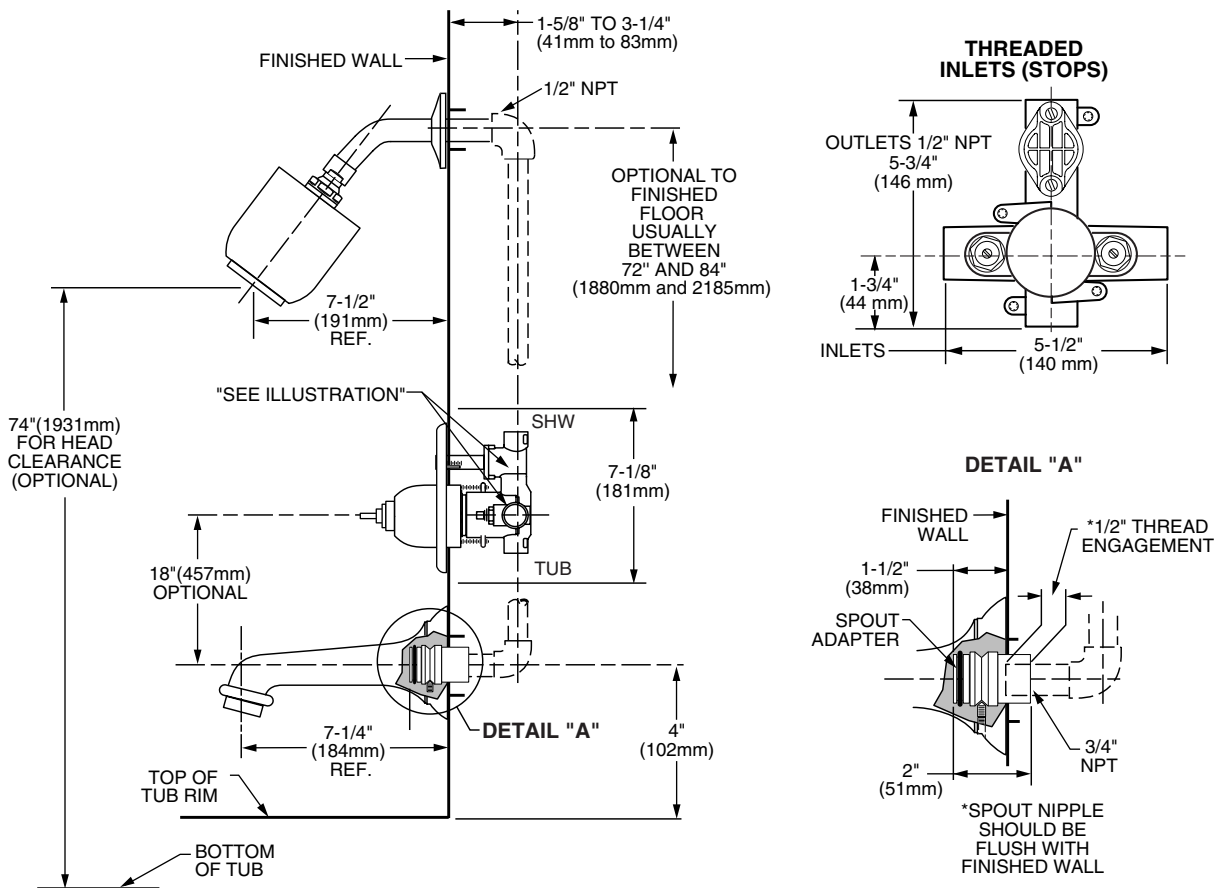
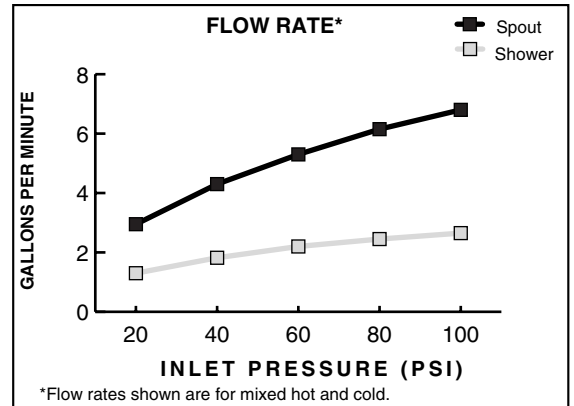
ASME A112.18.1

CSA B125

ASSE1016



Meets the American Disabilities Act Guidelines and **ANSI A117.1** Requirements for the physically challenged.



IMPORTANT: These measurements are subject to change or cancellation. No responsibility is assumed for use of superseded or voided pages.