
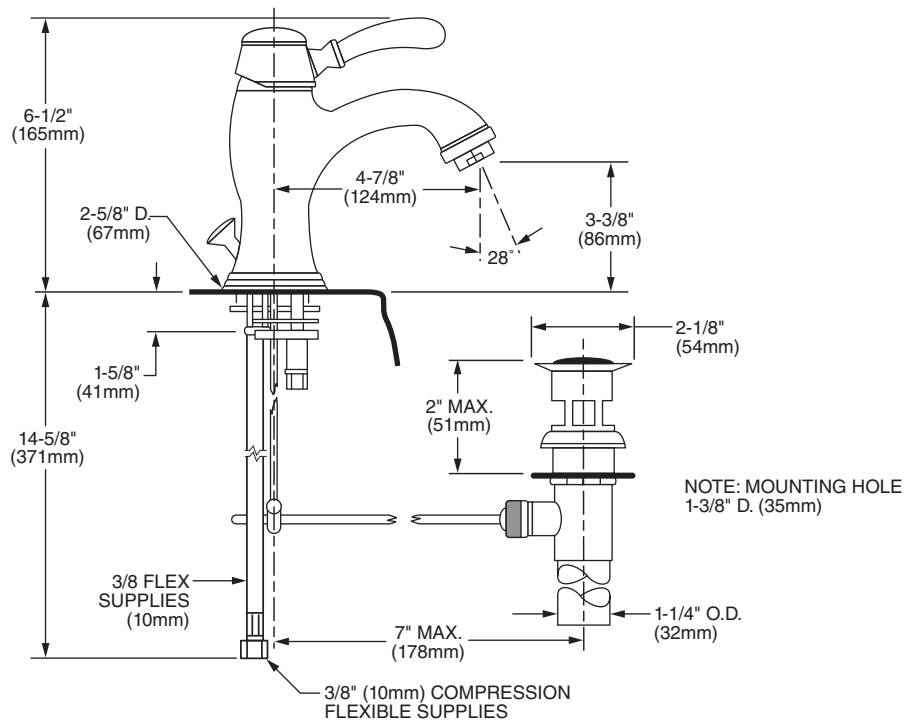




Features:

- Cast brass spout
- Ceramic disc valve cartridge
- Flexible Hose Connections
- Includes 1-1/4" drain assembly
- Lead Free - Faucet contains ≤ 0.25% total lead content by weighted volume
- Maximum Flow Rate: 1.5 GPM (5.7L/min)

Description	Handle Type	Product Number	Available Finishes	Finish Code
Single Lever Lavatory Faucet	Lever	850/003 	Polished Chrome Brushed Nickel Platinum Nickel	100 144 150



IMPORTANT: These measurements are subject to change or cancellation. No responsibility is assumed for use of superseded or voided pages.

CODES & STANDARDS

These products meet and exceed the following codes and standards:

- **ASME A112.18.1**
- **CSA B125.1**
- **NSF 61/Section 9**
- **EPA WaterSense® High Efficiency Lavatory Faucet Specification**
- **Certified Compliant with 0.25% Weighted Average Lead Content Regulations**



Meets the American Disabilities Act Guidelines and **ANSI A117.1** Requirements for the physically challenged.

