



Features:

- Cast brass spout and side valves
- Ceramic disc valve cartridge
- Flexible Hose Connections for 6"-12" installations
- Includes 1 1/4" drain assembly
- Available in 3 handle options



Pictured: 853/998 Widespread Faucet with Cross Levers

Maximum Flow Rate: 2.2 GPM (8.3L/min)

	Handle Type	Product Number	
Widespread Faucet	Cross	853/998	
Widespread Faucet	Straight Lever	853/908	
Widespread Faucet	Curved Lever	853/918	

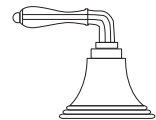
Available Finishes:	Finish Code
Polished Chrome	100
Old Bronze	105
Brushed Nickel	144
Platinum Nickel	150
Diamond (PVD)	167

ROUGH-IN DIAGRAM SHOWN ON REVERSE SIDE

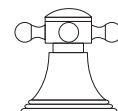
Handle Options:



Curved Lever



Straight Lever



Cross Handle

CODES & STANDARDS

These products meet and exceed the following codes and standards:

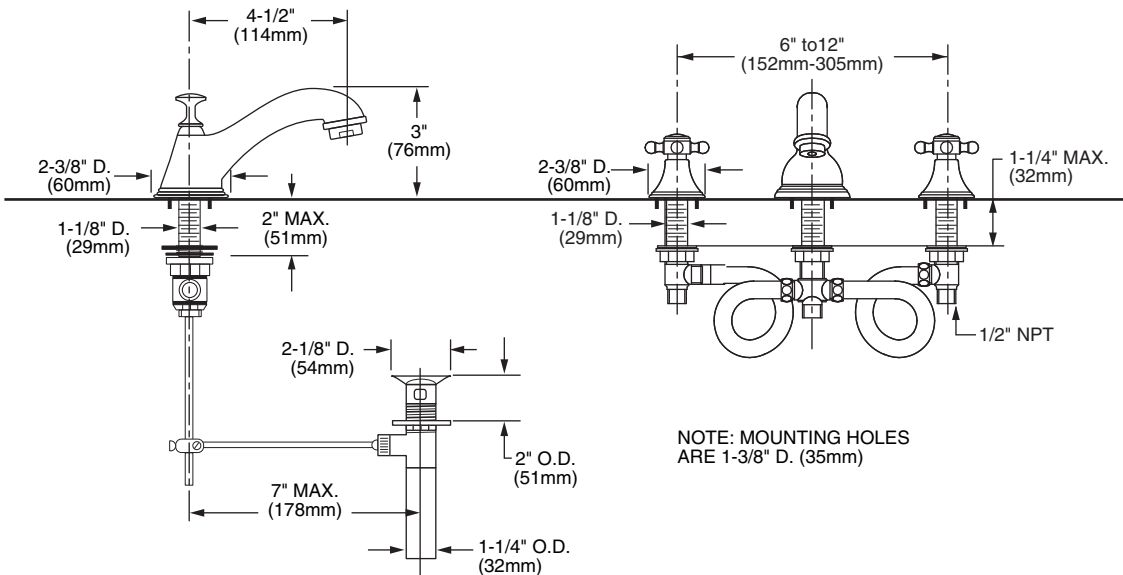
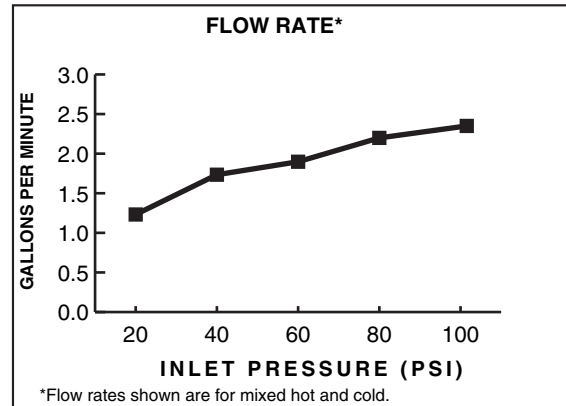
ASME A112.18.1

CSA B125

NSF 61/Section 9



Meets the American Disabilities Act Guidelines and **ANSI A117.1** Requirements for the physically challenged.



IMPORTANT: These measurements are subject to change or cancellation. No responsibility is assumed for use of superseded or voided pages.