







### Features:

- Cast brass spout and valve
- Ceramic disc valve cartridge
- Adjustable hot limit safety stop
- Pressure Balance cartridge maintains constant output temperature in response to changes in relative hot and cold supply pressures
- Integral diverter
- Concealed mounting hardware
- Available with Cross or Lever Handle
- Adjustable showerhead
- Maximum Showerhead Flow Rate: 2.5 GPM (9.5L/min)

**Pictured:**  
842/400 Tub and Shower Set with Cross Handle

| Description           | Handle Type | Product Number  | Available Finishes | Finish Code |
|-----------------------|-------------|---|--------------------|-------------|
| Tub & Shower Set      | Cross       | 842/400   | Polished Chrome    | 100         |
| Tub & Shower Set      | Lever       | 842/401  | Brushed Nickel     | 144         |
| PB Diverter Valve Set | Cross       | 842/140   | Platinum Nickel    | 150         |
| PB Diverter Valve Set | Lever       | 842/141  |                    |             |

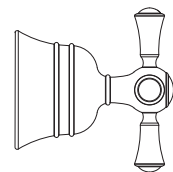
| Rough & Trim Options              | Handle Type | Product Number  |
|-----------------------------------|-------------|---|
| Tub & Shower Set Trim Only*       | Cross       | 842/495   |
| Tub & Shower Set Trim Only*       | Lever       | 842/496  |
| PB Diverter Valve Set Trim Only** | Cross       | 842/545   |
| PB Diverter Valve Set Trim Only** | Lever       | 842/546  |
| Showerhead Only                   |             | 842/O83   |
| Tub Spout Only                    |             | 842/O17   |
| Rough Only                        |             | 899/261/191   |

\* Includes Pressure Balance Diverter Valve Trim, Showerhead, Shower Arm & Tub Spout  
 \*\*Pressure Balance Diverter Valve Trim Only

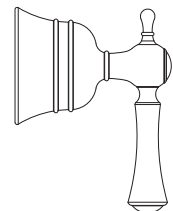
| Extension Kits            | Product Number |
|---------------------------|----------------|
| PB Handle Extension Kit   | A3195.191      |
| PB Diverter Extension Kit | A3196.191      |

ROUGH-IN DIAGRAM  
SHOWN ON REVERSE SIDE

### Handle Options:



Cross Handle




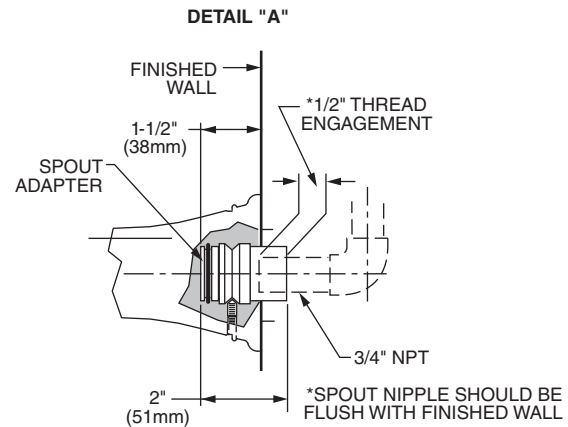
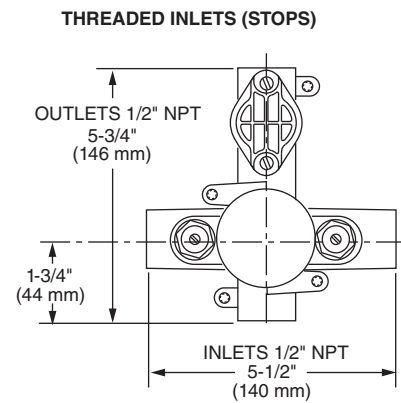
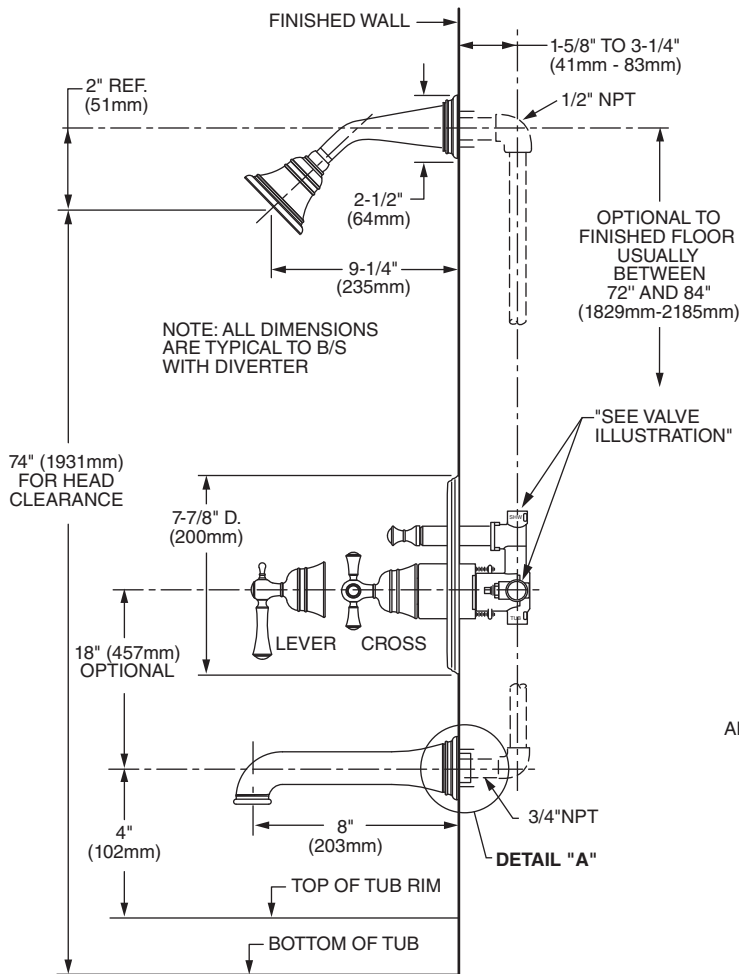
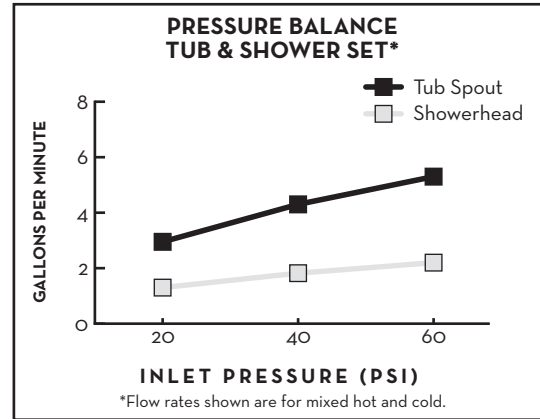
Lever Handle

## CODES & STANDARDS

These products meet and exceed the following codes and standards:

- ASME A112.18.1
- CSA B125.1
- ASSE 1016

 Meets the American Disabilities Act Guidelines and ANSI A117.1 Requirements for the physically challenged.



IMPORTANT: These measurements are subject to change or cancellation. No responsibility is assumed for use of superseded or voided pages.