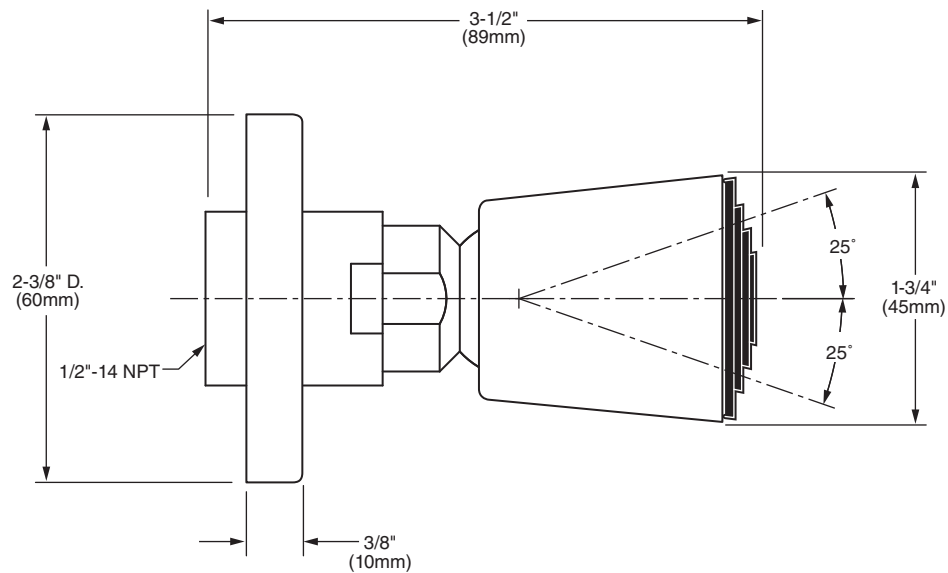




Features:

- Single function spray
- Wall mounted
- Adjustable head
- Compliments the Classic and Savina® collections
- 1/2" NPT female threaded inlet
- Maximum Flow Rate: 2.5 GPM (9.5L/min)

Description	Product Number	Available Finishes	Finish Code
Body Spray	860/007	Polished Chrome	100
		Brushed Nickel	144
		Platinum Nickel	150



IMPORTANT: These measurements are subject to change or cancellation. No responsibility is assumed for use of superseded or voided pages.

CODES & STANDARDS

These products meet and exceed the following codes and standards:

- ASME A112.18.1
- CSA B125.1

