

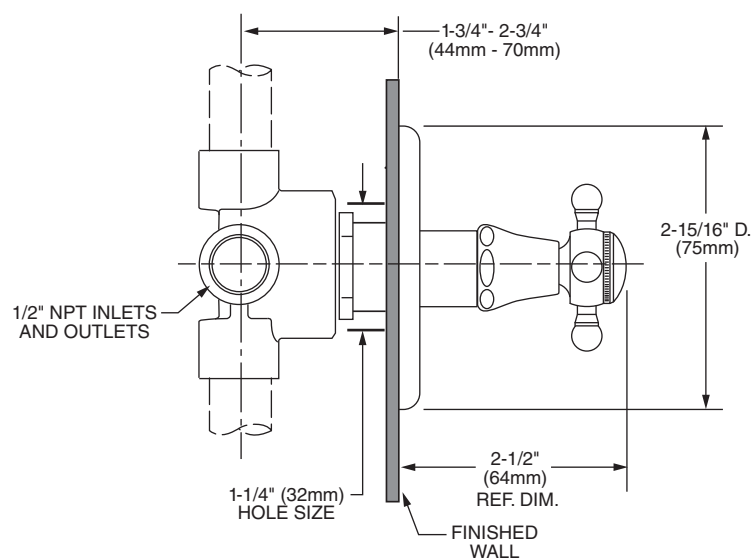
Features:

- Alternates water flow between 2 or 3 discrete shower outlets
- 4/3 Port Diverter allows for 1 inlet and 3 outlets
- 3/2 Port Diverter allows for 1 inlet and 2 outlets
- 1/2" NPT inlets and outlets

Description	Handle Type	Product Number	Available Finishes	Finish Code
3/2 Port Diverter Valve	Cross	876/176	Polished Chrome	100
4/3 Port Diverter Valve	Cross	876/186	Brushed Nickel	144
			Platinum Nickel	150

Rough & Trim Options	Handle Type	Product Number
Trim Only	Cross	876/711
Rough Only - 3/2 Port Diverter		876/003/191
Rough Only - 4/3 Port Diverter		876/004/191

Extension Kit	Product Number
Diverter Valve Extension Kit	H2749



IMPORTANT: These measurements are subject to change or cancellation. No responsibility is assumed for use of superseded or voided pages.

CODES & STANDARDS

These products meet and exceed the following codes and standards:

- ASME A112.18.1
- CSA B125.1

