



### Features:

- Cast brass valve
- Controls On/Off and Volume functions for a single shower component in a shower system
- 1/2" and 3/4" NPT available
- Available in Cross or Lever Handle

Pictured: 818/013 Wall Valve - Lever Handle

Kit Options	Handle Type	Product Number
1/2" Wall Valve	Cross	818/063
1/2" Wall Valve	Lever	818/013
3/4" Wall Valve	Cross	818/064
3/4" Wall Valve	Lever	818/014



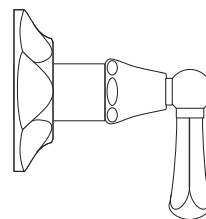
Rough & Trim Options	Handle Type	Product Number
Trim Only	Cross	818/765
Trim Only	Lever	818/713
Rough Only - 1/2" Wall Valve	Cross	865/001/191
Rough Only - 3/4" Wall Valve	Cross	865/101/191



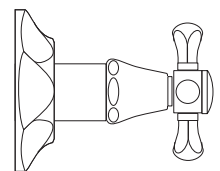
Extension Kits	Product Number
Stem Extension Kit	H960764.191
Stem Extension Kit Cover	H960202

Available Finishes:	Finish Code
Polished Chrome	100
Brushed Nickel	144
Platinum Nickel	150

### Handle Options:



Lever Handle



Cross Handle

ROUGH-IN DIAGRAM SHOWN ON REVERSE SIDE

### CODES & STANDARDS

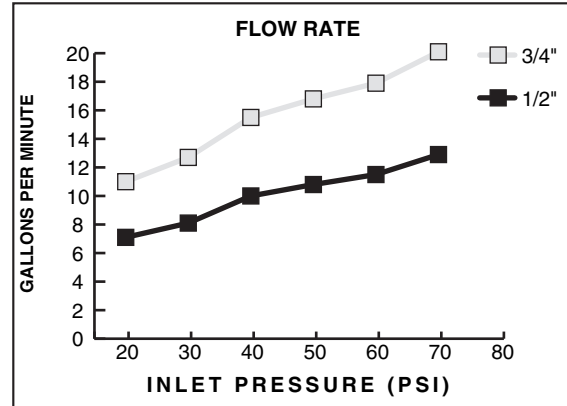
These products meet and exceed the following codes and standards:

**ASME A112.18.1**

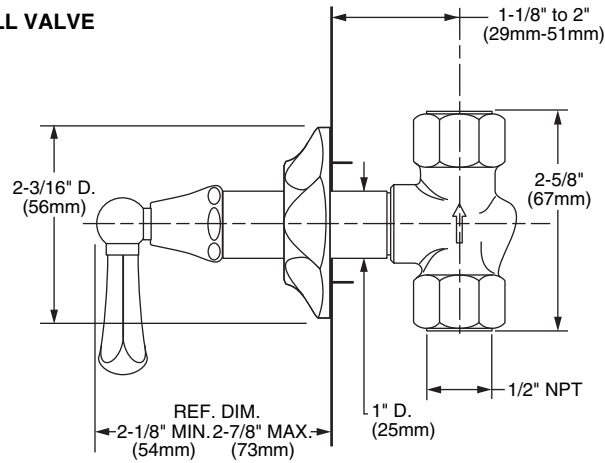
**CSA B125**



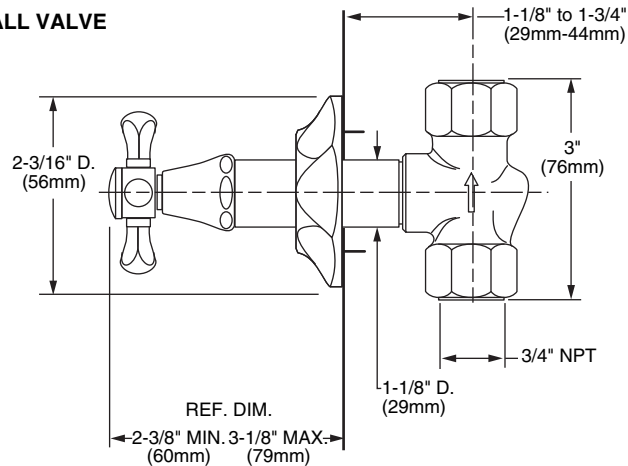
Meets the American Disabilities Act Guidelines and **ANSI A117.1** Requirements for the physically challenged.



**1/2" WALL VALVE**



**3/4" WALL VALVE**



**IMPORTANT:** These measurements are subject to change or cancellation. No responsibility is assumed for use of superseded or voided pages.