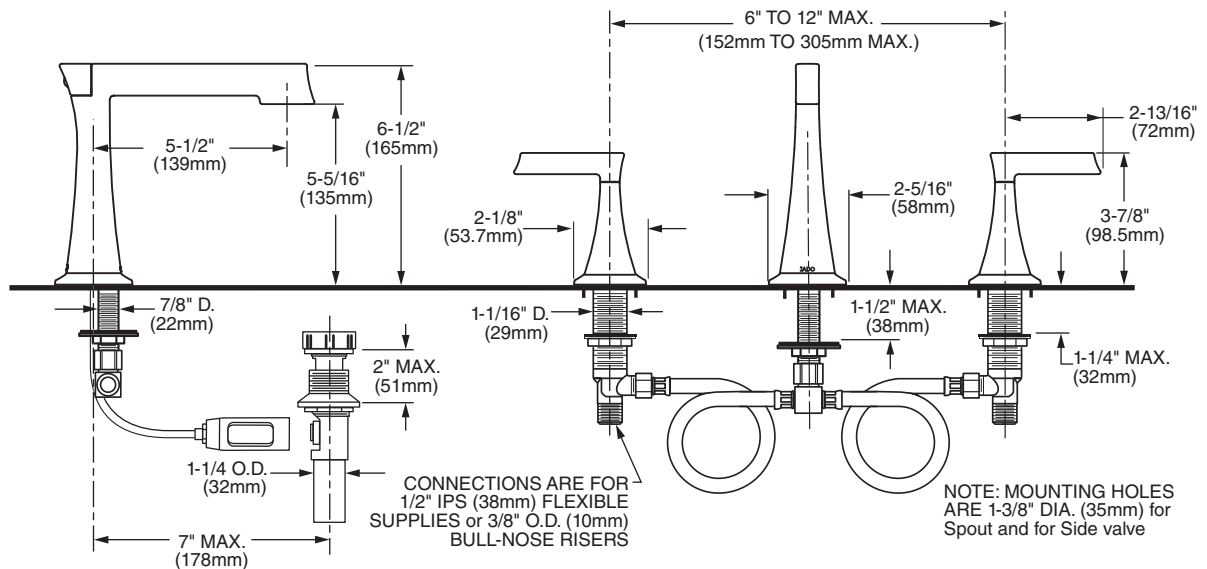




Features:

- Cast brass spout and side valves
- Ceramic disc valve cartridges
- Flexible Hose Connections for 6"-12" installations
- Speed Connect® with 1-1/4" drain
- Lead Free - Faucet contains ≤ 0.25% total lead content by weighted volume
- Maximum Flow Rate: 1.5 GPM (5.7L/min)

Description	Handle Type	Product Number	Available Finishes	Finish Code
Widespread Faucet	Lever	848/OO3	Polished Chrome	100
			Brushed Nickel	144
			Platinum Nickel	150



IMPORTANT: These measurements are subject to change or cancellation. No responsibility is assumed for use of superseded or voided pages.

CODES & STANDARDS

These products meet and exceed the following codes and standards:

- **ASME A112.18.1**
- **CSA B125.1**
- **NSF 61/Section 9**
- **EPA WaterSense® High Efficiency Lavatory Faucet Specification**
- **Certified Compliant with 0.25% Weighted Average Lead Content Regulations**



Meets the American Disabilities Act Guidelines and **ANSI A117.1** Requirements for the physically challenged.

